

UTILITY FRAME TENTS



Utility Frame Tents. Compatible with West Coast Style frames. Cost effective and easy to set up with color-coded tubing. Available in many sizes and colors.

Available in: 10' x 10' 15' x 15' and 20' x 20'

White, Red/White, Yellow/White, Blue/White and Green/White

UTILITY FRAME TENTS

10 X 10 UTILITY FRAME

We recommend :

- a minimum of two people for set up,
- that you wear gloves,
- that whenever you assemble a tent with hardware at or above the shoulders, you wear a hard hat.

Our frame parts are color-coded for fast, easy set up.

LAY OUT THE PARTS:

Open the parts bags and separate, using the drawing to organize the pieces of the frame on the ground. Start with the universal crown and the corner brackets.

RAFTERS:

- Align the rafters [YELLOW] to the universal crown and to the corner brackets. Pin the rafters to the universal crown.
- Pin the other end of the rafters to the corner brackets and, if adding an extension kit, to the intermediate brackets.

PERIMETER:

Start at corner bracket and build the perimeter of the tent. Work clockwise and install the perimeter sections in sequence by connecting the perimeter tubing from one bracket to the next. Work your way around until the entire frame is complete.

Note. Raising the universal crown will help draw last corner together.

CANOPY TOP:

- Unroll the canopy onto a drop cloth and, if it's a sectional top, attach the velcro hook and loop sections together to assemble the canopy. Lay the assembled canopy out over the frame.
- Square the canopy on the frame. Check the corners, hip areas and crowns to make sure the top and frame are correct. Pull the canopy corner ropes to align the corners.

LEGS:

- Insert and connect each top leg section [BLACK] to a corner bracket — work clockwise around your tent.
- When complete, stand under the canopy and fasten the canopy top in place by securing the straps and buckles around the perimeter of the frame. Snap the buckles together. Pull the straps to tighten and secure in place.
- Attach a foot plate to each leg of the tent and pin it in place.
- Stake each foot plate.

STAKES AND GUY ROPES:

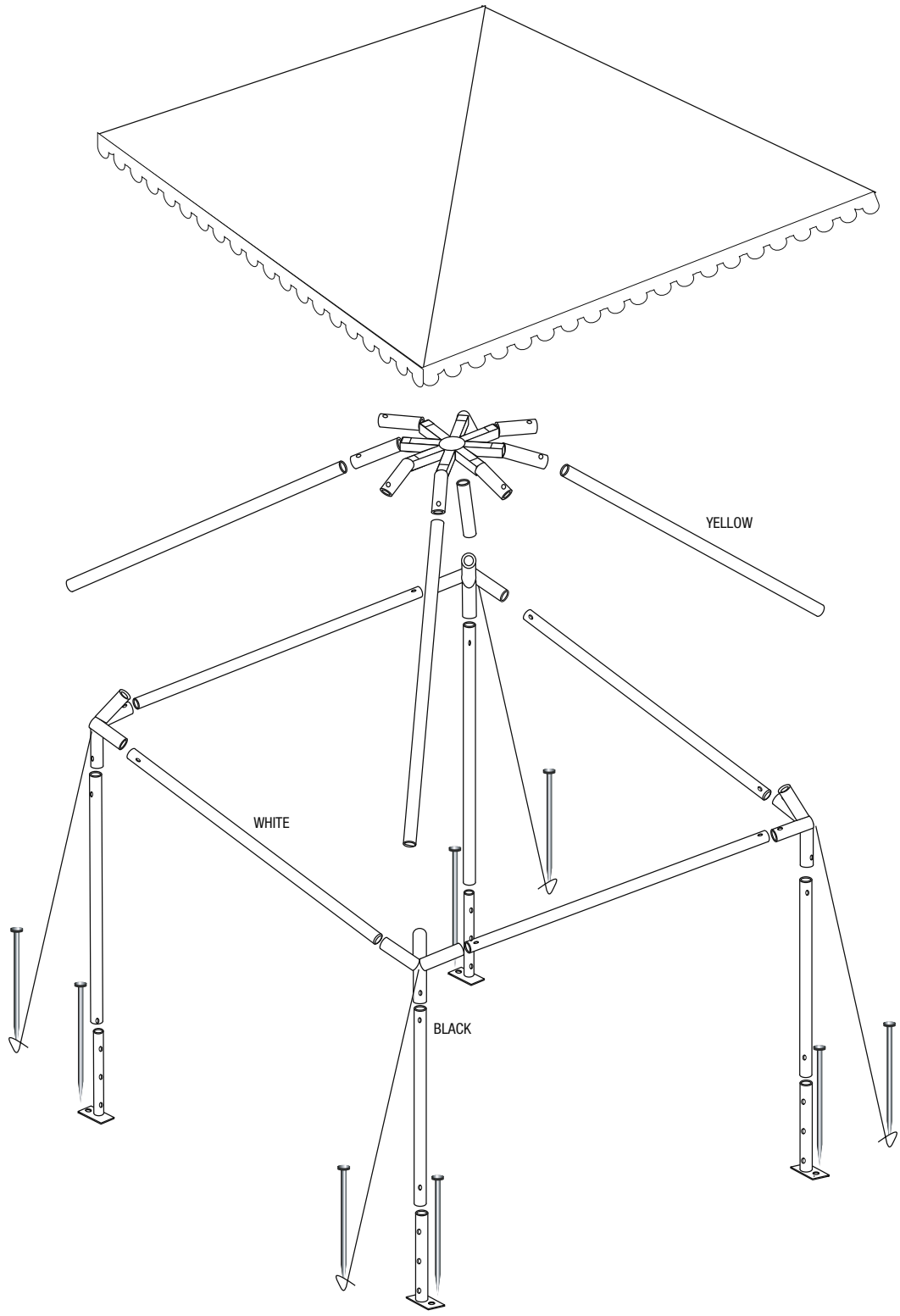
We recommend that stakes, foot plates and extra guy ropes be used to secure the tent to the site.

SEE SCHEMATICS ON FOLLOWING PAGE.

To disassemble the Utility Frame Tent, reverse the above procedure.

UTILITY FRAME TENTS

10 X 10



UTILITY FRAME TENTS

15 X 15 UTILITY FRAME

We recommend :

- a minimum of two people for set up,
- that you wear gloves,
- that whenever you assemble a tent with hardware at or above the shoulders, you wear a hard hat.

Our frame parts are color-coded for fast, easy set up.

LAY OUT THE PARTS:

Open the parts bags and separate, using the drawing to organize the pieces of the frame on the ground. Start with the universal crown and the corner brackets.

RAFTERS:

- Align the rafters [GREEN] to the universal crown and the corner brackets. Pin the rafters to the universal crown.
- Pin the other end of the rafters to the corner brackets and, if adding an extension kit, to the intermediate brackets.

PERIMETER:

Start at corner bracket and build the perimeter of the tent. Work clockwise and install the perimeter sections in sequence by connecting the perimeter tubing [RED] from one bracket to the next. Work your way around until the entire frame is complete.

Note. Raising the universal crown will help draw last corner together.

CANOPY TOP:

- Unroll the canopy onto a drop cloth and, if it's a sectional top, attach the velcro hook and loop sections together to assemble the canopy. Lay the assembled canopy out over the frame.
- Square the canopy on the frame. Check the corners, hip areas and crowns to make sure the top and frame are correct. Pull the canopy corner ropes to align the corners.

LEGS:

- Insert and connect each top leg section [BLACK] to a corner bracket — work clockwise around your tent.
- When complete, stand under the canopy and fasten the fabric in place by securing the straps and buckles around the perimeter of the frame. Snap the buckles together. Pull the straps to tighten and secure in place.
- Attach a foot plate to each leg of the tent and pin it in place.
- Stake each foot plate.

STAKES AND GUY ROPES:

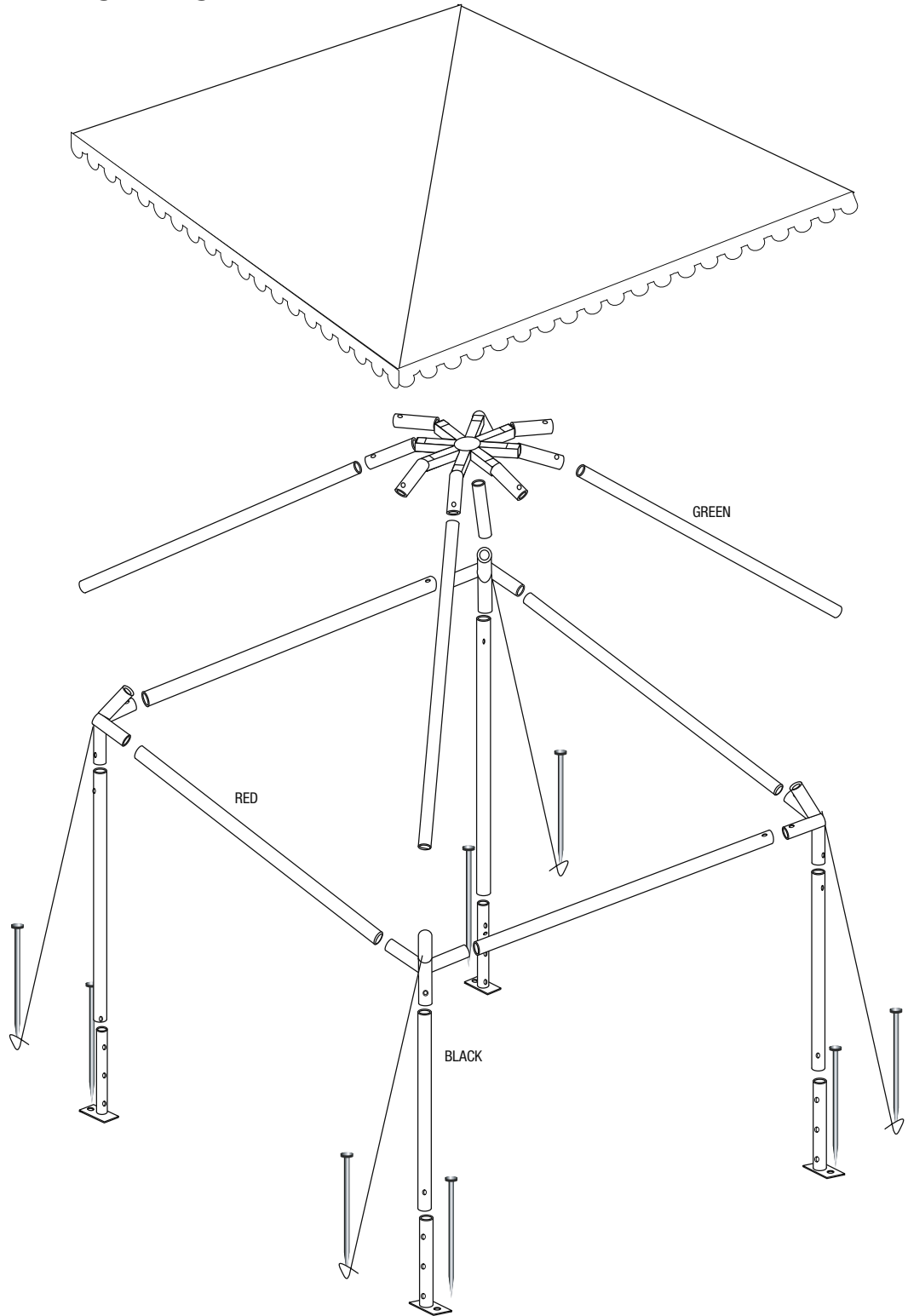
We recommend that stakes, foot plates and extra guy ropes be used to secure the tent to the site.

SEE SCHEMATICS ON FOLLOWING PAGE.

To disassemble the Utility Frame Tent, reverse the above procedure.

UTILITY FRAME TENTS

15 X 15



UTILITY FRAME TENTS

20 X 20 UTILITY FRAME

We recommend :

- a minimum of two people for set up,
- that you wear gloves,
- that whenever you assemble a tent with hardware at or above the shoulders, you wear a hard hat.

Our frame parts are color-coded for fast, easy set up.

LAY OUT THE PARTS:

Open the parts bags and separate, using the drawing to organize the pieces of the frame on the ground. Start with the universal crown and the corner brackets.

RAFTERS:

- Align the corner rafters [RED] to the universal crown and the corner brackets. Pin the rafters to the universal crown.
- Align the intermediate rafters [GREEN] to the universal crown and the intermediate brackets. Also pin these rafters to the universal crown.
- Pin the other end of the rafters to the intermediate brackets and to the corner brackets.

PERIMETER:

Start at corner bracket and build the perimeter of the tent. Work clockwise and install the perimeter sections in sequence by connecting the perimeter tubing [WHITE] from one bracket to the next. Work your way around until the entire frame is complete.

Note. Raising the universal crown will help draw last corner together.

CANOPY TOP:

- Unroll the canopy onto a drop cloth and, if it's a sectional top, attach the velcro hook and loop sections together to assemble the canopy. Lay the assembled canopy out over the frame.
- Square the canopy on the frame. Check the corners, hip areas and crowns to make sure the top and frame are correct. Pull the canopy corner ropes to align the corners.

LEGS:

- Insert and connect each top leg section [BLACK] to a corner bracket — work clockwise around your tent.
- When complete, stand under the canopy and fasten the fabric in place by securing the straps and buckles around the perimeter of the frame. Snap the buckles together. Pull the straps to tighten and secure in place.
- Attach a foot plate to each leg of the tent and pin it in place.
- Stake each foot plate.

STAKES AND GUY ROPES:

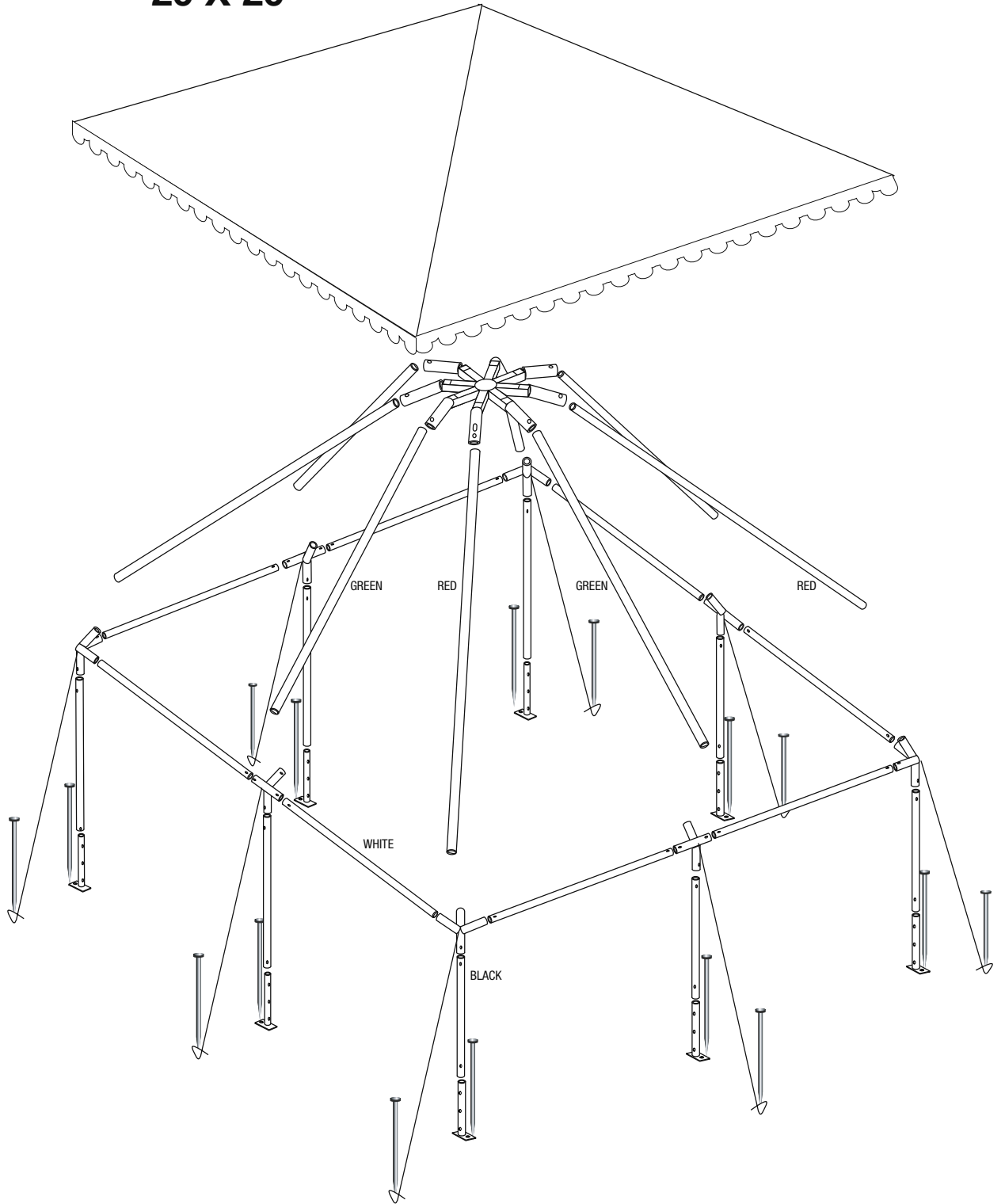
We recommend that stakes, foot plates and extra guy ropes be used to secure the tent to the site.

SEE SCHEMATICS ON FOLLOWING PAGE.

To disassemble the Utility Frame Tent, reverse the above procedure.

UTILITY FRAME TENTS

20 X 20



UTILITY FRAME TENTS

PARTS & ASSEMBLIES

DESCRIPTION	QNTY	PRODUCT CODE	DESCRIPTION	QNTY	PRODUCT CODE
10' X 10' 1 PC WHITE	1	2450020	20X20 1 PC WHITE	1	2450030
10' X 10' 1 PC B/O	1	2450021	20X20 1PC B/O	1	2450031
10' X 10' 2 PC WHITE	1	2450040	20X20 2 PC WHITE	1	2450060
10' X 10' 2 PC B/O	1	2450041	20X20 2 PC B/O	1	2450061
10' MID FOR 10' WHITE	1	2450050	10' MID FOR 20' WHITE	1	2450070
10' MID FOR 10' B/O	1	2450051	10' MID FOR 20' B/O	1	2450071
10'X10' FRAME 7'	1	2450529	20X20 FRAME 7'	1	2450531
10'X10' FRAME 8'	1	2450530	20X20 FRAME 8'	1	2450532
10' EXT 7'	1	2450527	10' EXT FOR 20' 7'	1	2450533
10' EXT 8'	1	2450528	10' EXT FOR 20' 8'	1	2450534
10'X20' FRAME 7'	1	2450538			
10'X20' FRAME 8'	1	2450539			
15X15 1 PC WHITE	1	2453010	UTILITY BASE PLATE		2450536
15X15 1 PC B/O	1	2453011	BRAIDED ROPES		2470408
15X15 2PC WHITE	1	2453020	CARABINERS		2470409
15X15 2PC B/O	1	2453021			
15' MID FOR 15' WHITE	1	2453030			
15' MID FOR 15' B/O	1	2453031			
15X15 FRAME 7'	1	2453040			
15X15 FRAME 8'	1	2453041			
15' EXT FOR 15' 7'	1	2453042			
15' EXT FOR 15' 8'	1	2453043			

NOTE: All frames are without base plates, ropes, or carabiners